

**NEW  
PRODUCT**

*Innovative Products From Allstate Gasket –*

# **GASKET PUNCH TABLE**

Model AGPT-15

Gasket Punch Table Features



*The Gasket Punch Table includes 16 punches*

## **FEATURES:**

- The *Gasket Punch Table* is durable, easy to handle and is easily transported to the jobsite for use. All steel construction makes this a rugged tool that will provide years of service. Punch gaskets, washers and shims out of compressed sheet, rubber, fiber, oil paper, brass, copper, aluminum and most thin metal sheets. (Up to 1 mm thick).
- Included with the punch table, 16 punches are supplied in leather carrying case. These punches are hardened and tempered for maximum life. Punch sizes supplied are: - 6, 7, 8, 9, 10, 11, 12, 13, 16, 22, 25, 28, 32, 35 and 38 mm diameter. They can be re-sharpened by simple grinding to retain cutting edge.

Allstate Gasket & Packing, Inc. has fabricated and distributed gasket and packing products for over 50 years.



In addition to the large production machinery we use in-house, we supply a wide variety of the hand tools we use in everyday fabrication tasks.

*All inquiries receive prompt, courteous attention!*

**[www.AllstateGasket.com](http://www.AllstateGasket.com)**  
info@AllstateGasket.com

Tel: (631) 254-4050 | Fax: (631) 254-4330 | 31 Prospect Place | Deer Park, NY 11729-3713 USA

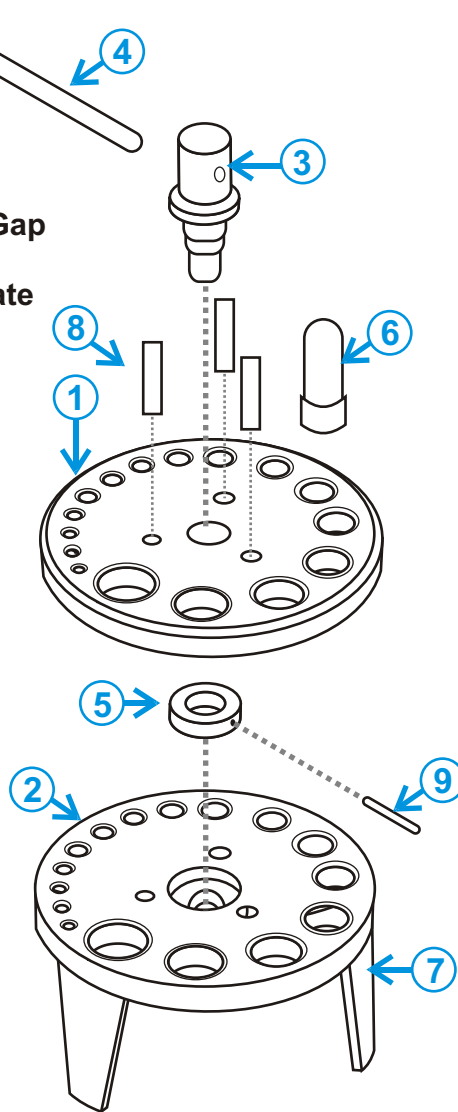
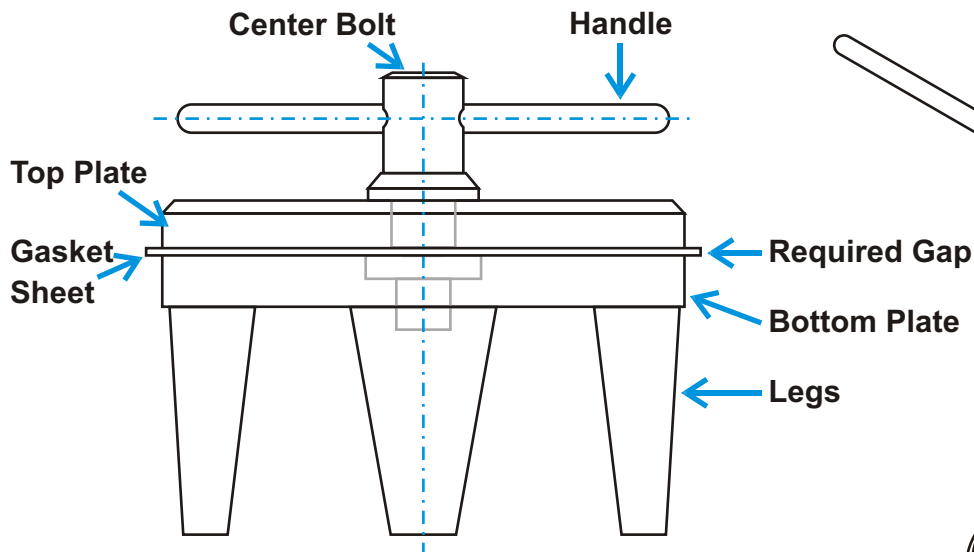
**NEW  
PRODUCT**

*Innovative Products From Allstate Gasket –*

# **GASKET PUNCH TABLE**

Model AGPT-15

Operation & Maintenance Guide



## ■ OPERATION:

- A) Place the *Gasket Punch Table* on a level, supportive work surface. Observe safety precautions and wear eye protection.
- B) Using the *Handle* (4) unscrew *Center Bolt* (3) until the required gap between *Top Plate* (1) and *Bottom Plate* (2) equals the thickness of gasket.
- C) Insert the workpiece, below the required size of hole to be punched.
- D) Rotate the *Handle* (4) in **clockwise direction** so *Top Plate* (1) is firmly tightened. Select punch of required size from *Punch Set* (6). Hold punch vertically in the hole, so that punch slides down onto the workpiece. Using a hammer, strike the top of punch until the hole is complete.
- E) Knock-out piece will fall down through the hole in the *Bottom Plate* (2).
- F) Using *Handle* (4), unscrew *Top Plate* (1), remove punched and completed workpiece.

PART	DESCRIPTION	QTY
1	Top Plate	1
2	Bottom Plate	1
3	Center Bolt	1
4	Handle	1
5	Washer	1
6	Punches	16
7	Legs	3
8	Cylindrical Pin	3
9	Cylindrical Pin	1



# **ALLSTATE GASKET**

*All inquiries receive prompt, courteous attention!*

**[www.AllstateGasket.com](http://www.AllstateGasket.com)**  
info@AllstateGasket.com

Tel: (631) 254-4050 | Fax: (631) 254-4330 | 31 Prospect Place | Deer Park, NY 11729-3713 USA